

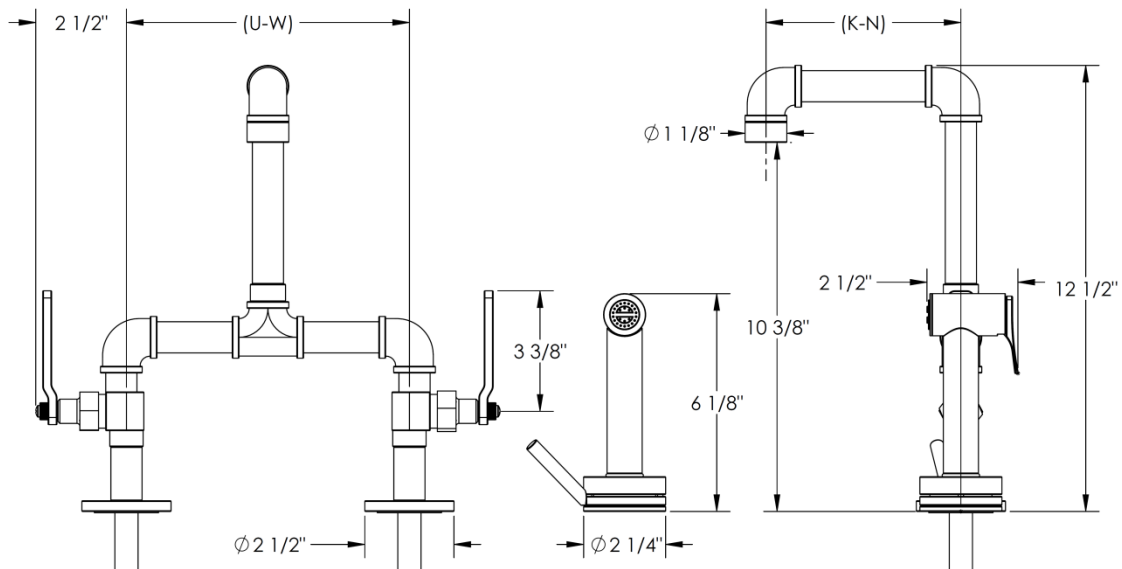
38-7.65-_-_-EV4

Elevated Kitchen Faucet with Independent Sidespray
Specify (K-N, U-W)

Standard Holes: 1 3/8" Diameter

- K=5.5"
- L=6.5"
- M=7.5"
- N=8.5"

- U=8"
- V=12"
- W=18"



Meets the applicable requirements of ASME A112.18.1-2005/CSA B125.1-05, entitled "Plumbing Supply Fittings"

WATERMARK DESIGNS 3/30/2015